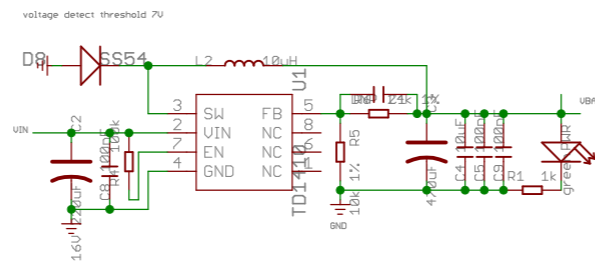
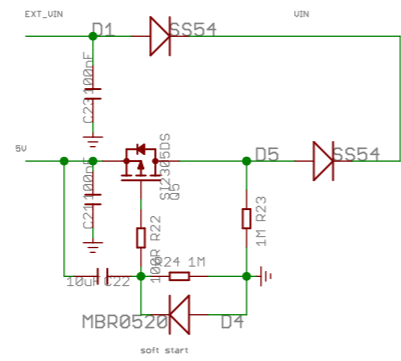
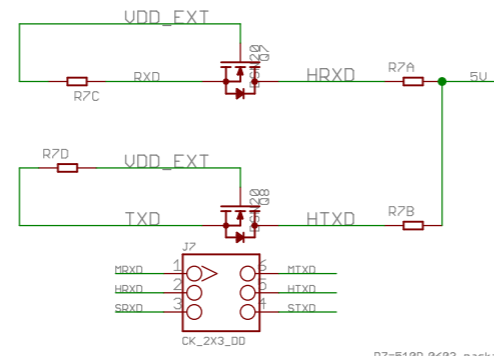


power supply

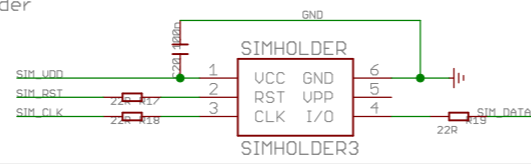


Uart voltage level shift

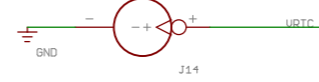


R7=510R,0603 package,max power is 1/10.
R7 disappear power $= (V_{in}-U_2)^2/R_7$, less than 1/10, is OK

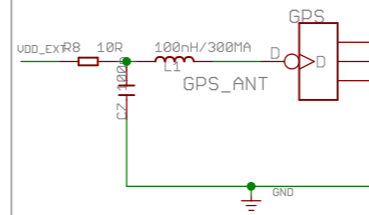
SIM card holder



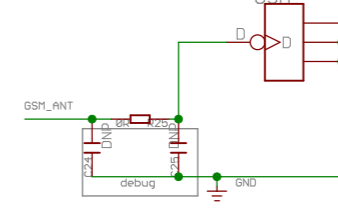
RTC battery



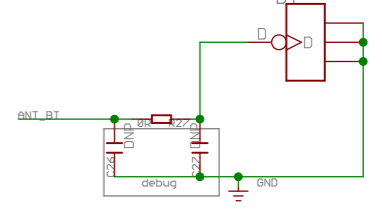
GPS Anten



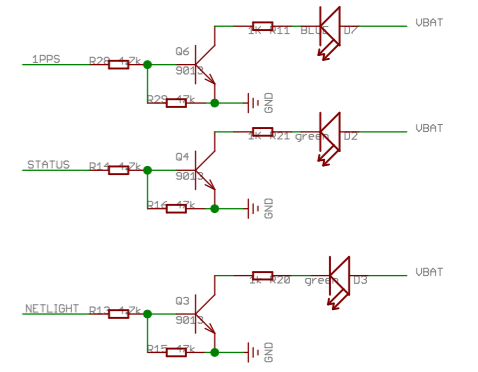
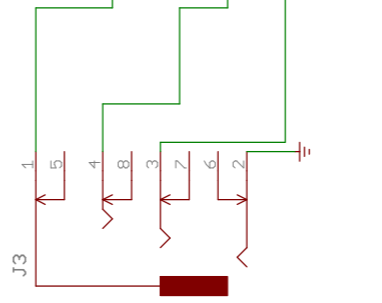
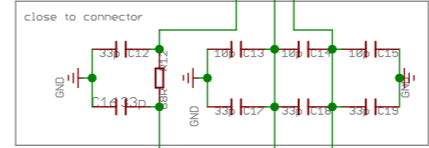
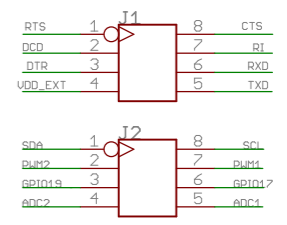
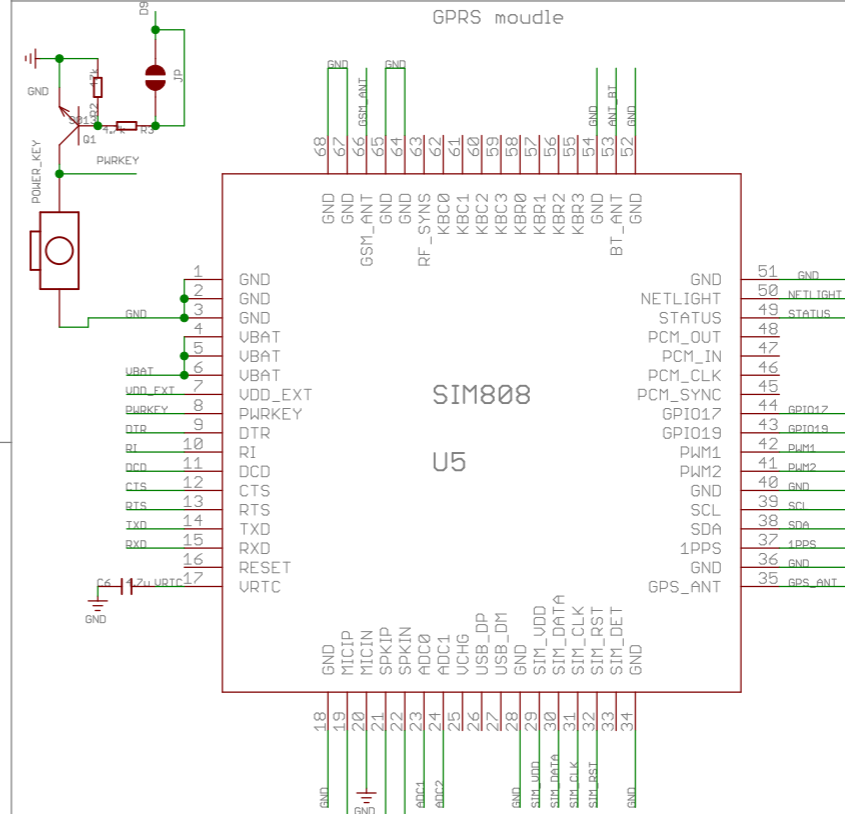
GSM



BT Anten



GPRS module



TITLE: GPRS/GSM Shield

Change Note:

Design:

Check:

Data:

Vision: 1.0

Sheet: 1/1