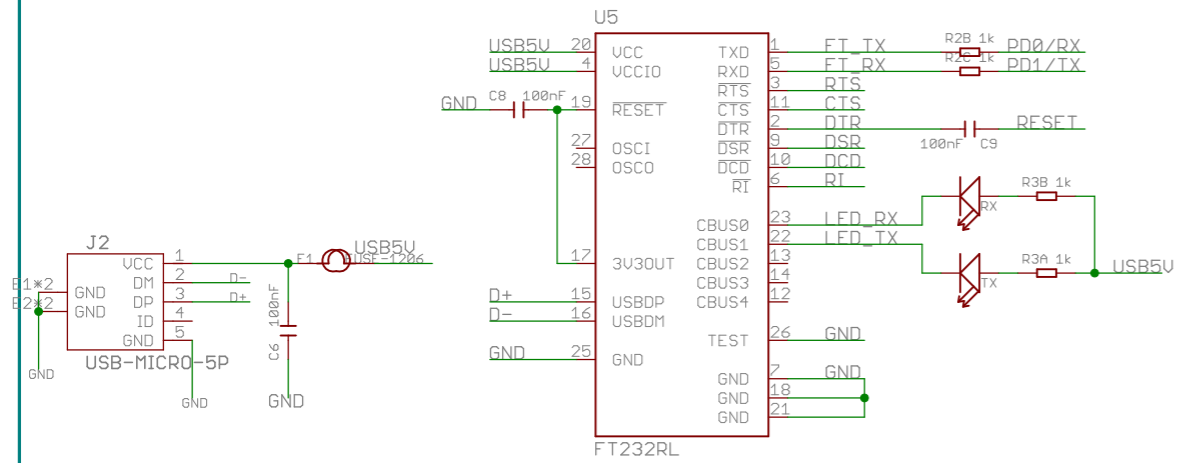
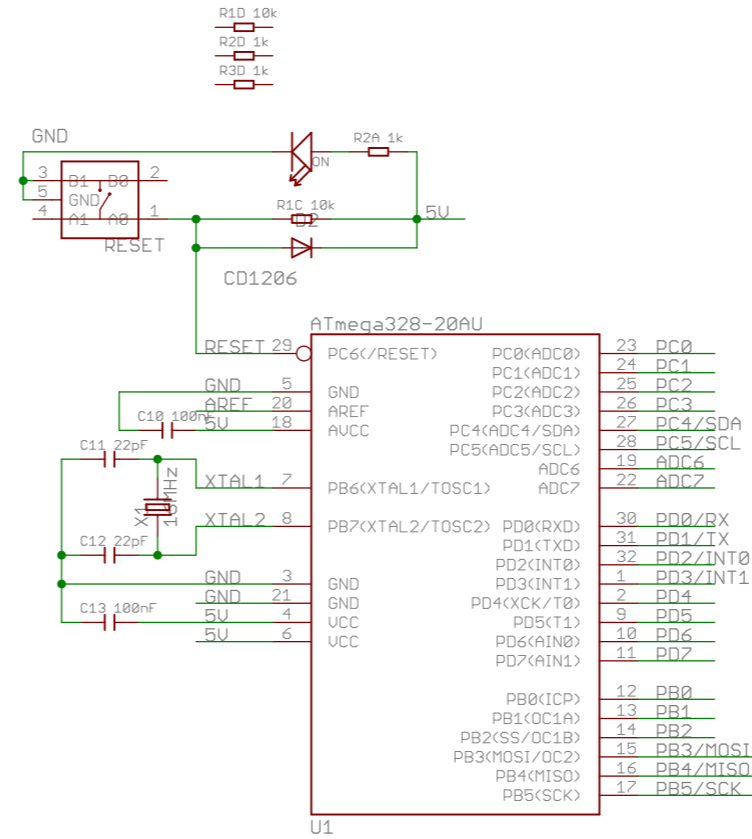


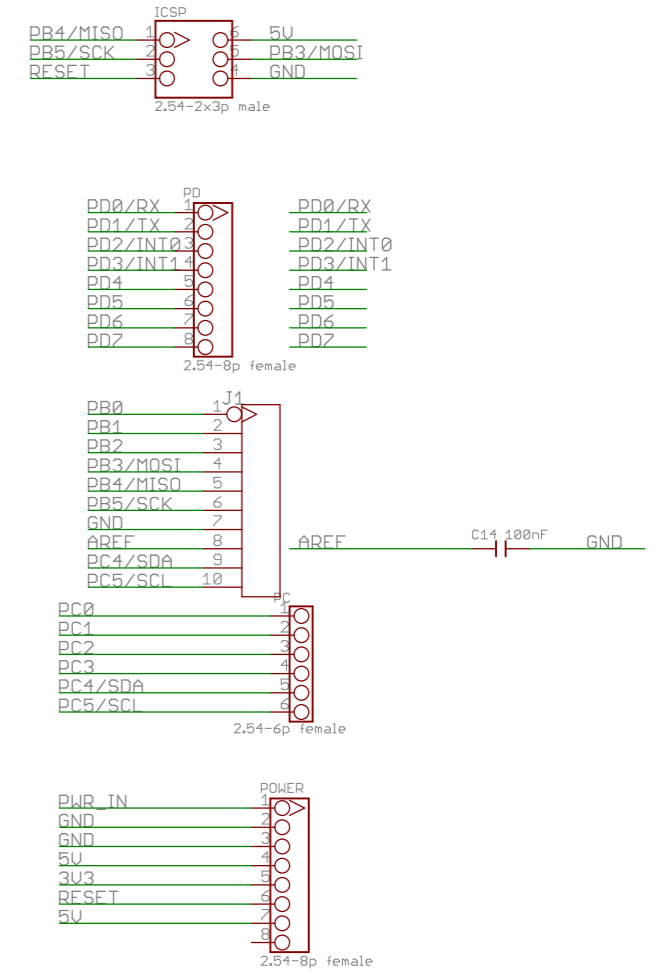
USB to Serial



MICROCONTROLLER



I/Os



POWER

