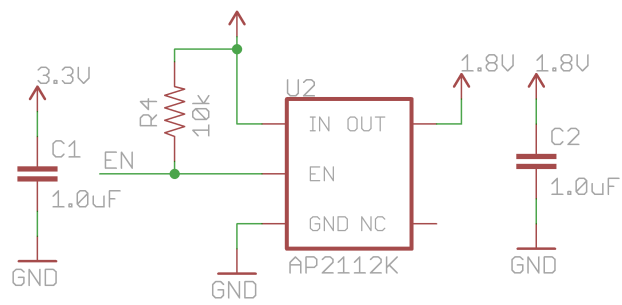
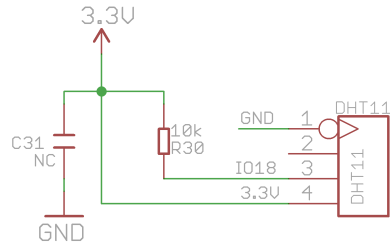
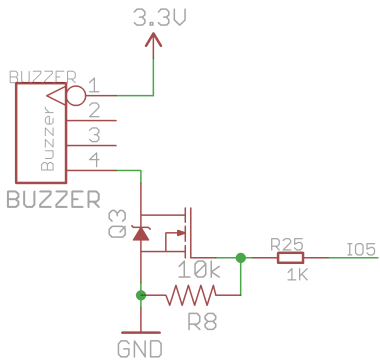
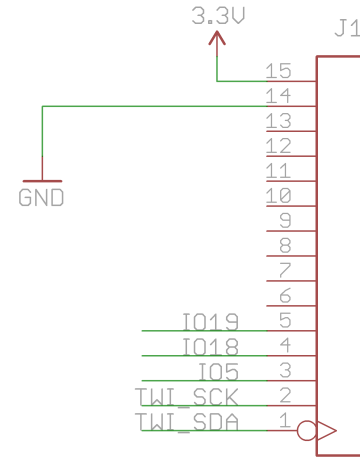
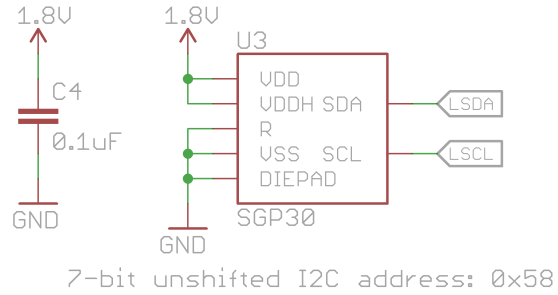
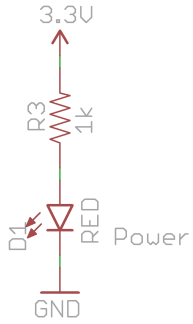
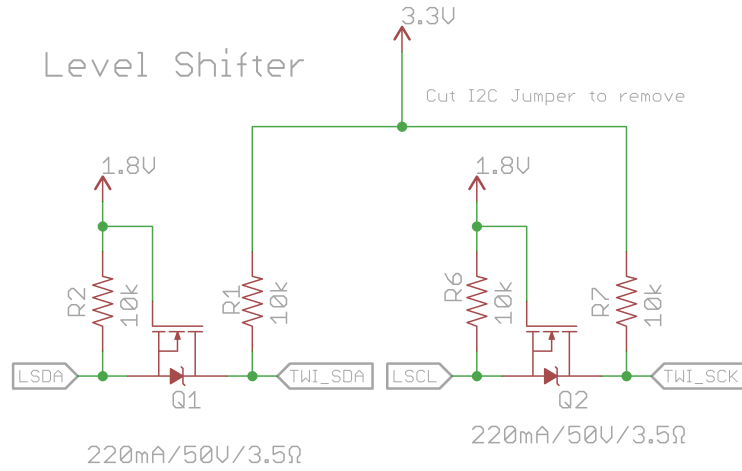


Voltage Regulator

V_{IN}: 2.5-6.0V



Level Shifter



C02 Humidity and Temperature Sensor v1.0
www.makerfabs.com